

Straight Male Headers

- 1 – 40 contacts per row
- Single or dual row
- Straight, Right Angle or Surface Mount
- Gold plating
- High temperature body
- Solder standoffs facilitate production wave soldering

Physical

Insulation

Standard Temperature

Material:	High temperature Nylon
Flammability:	UL 94 V-0
Color:	Black

Contact

Material:	Copper Alloy
-----------	--------------

Plating Options

Gold flash (Standard)

Interface Area:	flash Au
Solder Tails:	flash Au

Electrical

Current Rating:	1,0A
Insulation Resistance:	$> 2 \times 10^9 \Omega$ at 500V DC
Contact Resistance:	20m Ω max.
Withstanding Voltage:	500V AC at sea level

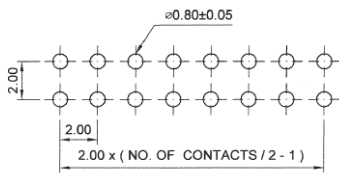
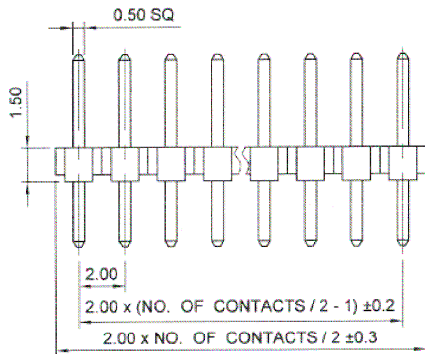
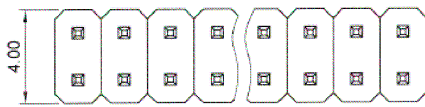
Environmental

Operating Temperature Rating:	-40°C to +105°C (High Temperature)
Process Temperature Rating:	230°C for 3 to 5 sec.



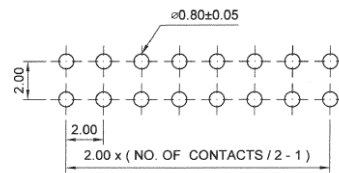
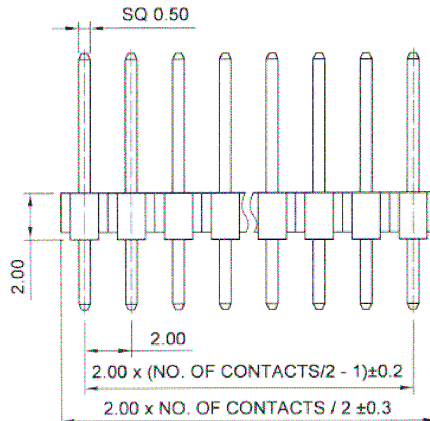
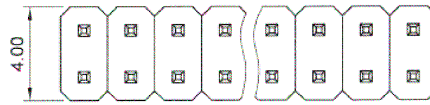
THT Headers

Short Interface Side:



P.C. BOARD LAYOUT

Long Interface Side:



P.C. BOARD LAYOUT

Ordering Information

9x6xxx-01-xx-xx-xx

Product Option:
3 = High Temperature Product

Plating Options:
200 = Gold plating (Short Interface)
201 = Gold plating (Long Interface)

Contact Quantity per Row
1 to 40

Insulator Body Color Code
CA = Black High Temp.

Plating Suffix
05 = flash Au Plating

Engineering Note:

The information presented in this datasheet is accurate to the best of our knowledge. Due to ongoing efforts to advance design and material performance, this information is subject to change without notice.